

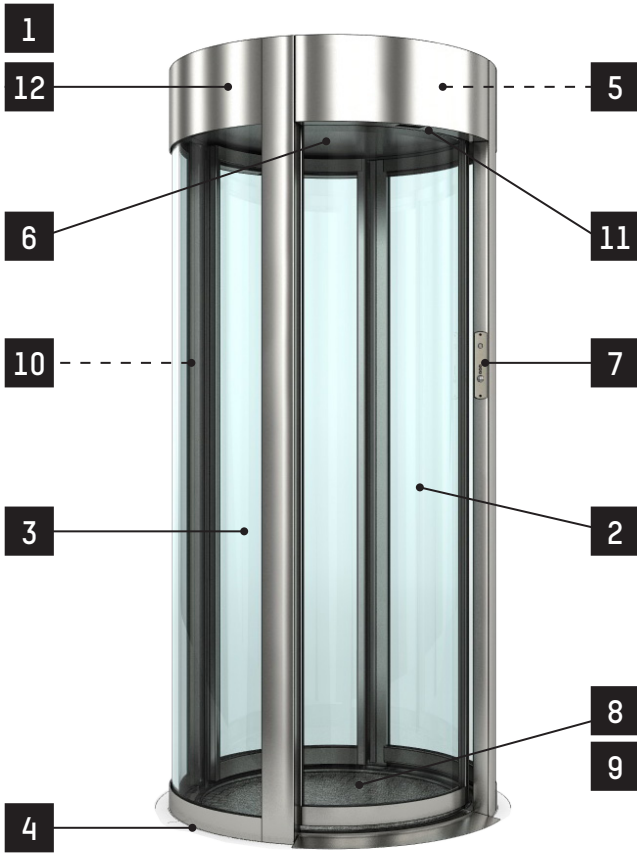
ClearLock 635

Technical datasheet

Rev. 09 • Update 09/2024

DESCRIPTION

1. Painted steel **upper casing** containing the drive mechanism and the control board unit of the security booth.
2. **Mobile obstacles** in laminated glass BR2S P6B. Each door panel is equipped with a protection ensuring the safety of users.
3. **Lateral panels** made of painted steel and laminated clear glass BR2S P6B.
4. **Metal floor** of 25 mm thick for installation on a finished floor.
5. Control board unit & motorisation comprising:
 - Programmable electronic board;
 - I/O interface board for access control system;
 - Remote console for operating mode adjustment;
 - Voice messages device;
 - Two back-up batteries ensuring 100 cycles in case of power failure;
 - Electro-mechanical lock of the obstacles (with programmable unlocking in case of power failure);
 - Safety cells for reopening in case a presence is detected in front of the obstacles (anti-pinch safety).
6. **Spotlights** for the passageway lighting.
7. **Status light:** LED displays indicating the status of the security booth. And also push button, intercom and/or access badge reader, according to the need.
8. **Bubble rubber base floor.**
9. **"Single person" detection by floor weight detection system** (2 directions).
10. **Emergency opening button and call bell.**
11. **Lock** for external door locking.
12. **Removable inner roof** (by screw) (optional) when access from the top of the roof box is not possible for maintenance.



The **ClearLock 63x** series, automatic round security booths are designed to provide high security access control.

The **ClearLock 635** security booths, the smallest products of the ClearLock 63x series, are equipped with **two mobile obstacles** which provide a free passage of **580 mm** and an external diameter of **1052 mm**.

The **ClearLock 635** are motorised and bi-directional. It is answering to the market demand in term of unicity of detection, bullet resistance and burglary or vandalism resistance.

The **Clearlock 635** are available with straight (180°) or left/right angled (90°) passage.

Consisting of a frame, a painted steel housing and glass panels, the high-security **ClearLock** series booths provide thermal insulation and stand out in their surroundings.



STANDARD TECHNICALS CHARACTERISTICS

Power supply	230 V single phase, 50/60 Hz, 10 A + ground
Consumption	200 W
Ambient operating temperature	Operating -10° to +55°C
Battery backup	2 batteries 2 Ah to allow operation in case of power failure.
Motors	2 motors 24Vdc for reversible movement of the doors, with closing safety lock. Opening of both the doors in case of emergency.
Passages	- 6 passages per minute in one direction - 8/9 passages per minute in both directions (such data do not consider the possible working times due to utilization of card/badge readers)
Dimensions	Overall dimensions (mm): Height: 2350 Diameter: 1052 Passage dimensions (mm): Height: 2074 Width: 580
Weight	600 kg depending on glass
Relative ambient humidity	85%, without condensation
MCBF (Mean cycles between failures)	1,000,000 cycles, in compliance with recommended maintenance
MTTR (Mean time to repair)	2 hours
CE	Complies with European standards

CONFIGURATIONS

1. RAL7035 Light Grey (by default) - RAL9011 Black - RAL9010 White - RAL8019 dark brown.
2. Profile position for wall connection:
 - entry / outside side.
 - middle position (by default).
 - exit / inside.
3. In case of power failure :
 - By default: The exit door (secured side) remains locked.
The entry door (unsecured side) opens automatically.
 - All doors remain locked.
4. Integration of card reader, intercom and/or push button at the entry and/or exit of the booth.
5. Choice of the language of voice message and control consol.

SURFACE TREATMENT

All the mechanical parts are treated against corrosion by electro zinc, according to RoHS norms.

WORKS TO BE PROVIDED BY THE CUSTOMER

- Fixing on the floor.
- Power supply.
- Connection between booth and access control devise.

Note: Follow the installation plan.

OPTIONS

SPECIFIC OPTIONS

- Left / Right angle 90° passage.
- Mobile and fixed BR3S P6B glass doors.
- Product structure in FB4 certified metal (EN1522).
- Force entry resistance RC3 (EN1627) with mobile & lateral BR2S (EN1063) P6B (EN356) glass doors included.
- Force entry resistance RC4 (EN1627) with mobile & lateral BR3S (EN1063) P6B (EN356) glass doors included.
- IP33 rain protection compatible with weight detection system (50mm higher booth).¹
- Metal detector & left object control (entry way only).²
- Interior roof removable (by screw) retained by a safety chain, for maintenance.³
- Heating of the canopy for outside front installation in extra cool climates (-30°C up to +50°C).
- Dismountable booth (instead of welded). Delivered assembled.
- Dismountable booth (instead of welded). Shipment in parts.
- White opaque glass.

GENERAL OPTIONS

- Break-in detection on the cover plate of the roof (microswitch contact).
- Medium structured satin paint in : other RAL colours than RAL7035, RAL9011, RAL8019, RAL9010.
- Flush mat powder coating in : any RAL colour.
- Brushed AISI 304 stainless steel finishing.
- Profile for wall connection (per side : entry, exit or middle position).
- Frame for floor built-in installation (25mm).
- Special support for installation on technical floor (Hmin100mm/Hmax400mm).
- Support on the post inside the booth for reader installation inside the booth.
- Support for readers (width > 85mm) fixed on the external (entrance) side or fixed on the internal (exit) side of the booth metal structure.
- Integration of any non-standard intercom or emergency button into the product (specific information of the device and desired position to be provided for customization).
- Mechanical locker for metal objects with 10 drawers.
- Radar for automatic door opening (entry or exit way).
- Colour video micro-camera inside of the booth (to be connected to a screen not supplied).
- Auxiliary control console (in connection with the standard control console).
- Delivery without any control console.
- 2 back-up batteries 12V 7Ah (300 opening cycles).
- Electronic card for the transmission in serial line of the weight detected inside the booth.
- Converter RS485 to LAN for booth networking.
- Service kit (Iuppiter software + several cables).⁴
- Top canopy with a different height, to close the space between the booth top and the ceiling (up to 500mm).
- Virtual Console for remote monitoring (software installed on a Linux server - server integrated or server touch).
- Virtual Console for remote monitoring (software installed on a PC Panel PSE 3215 21,5" - B8 module : CPU Celeron Apollo Lake J3455).

¹ The IP33 protection includes on the unsecured side of the booth : tight weight detection, tight user command plate + half-roof canopy.

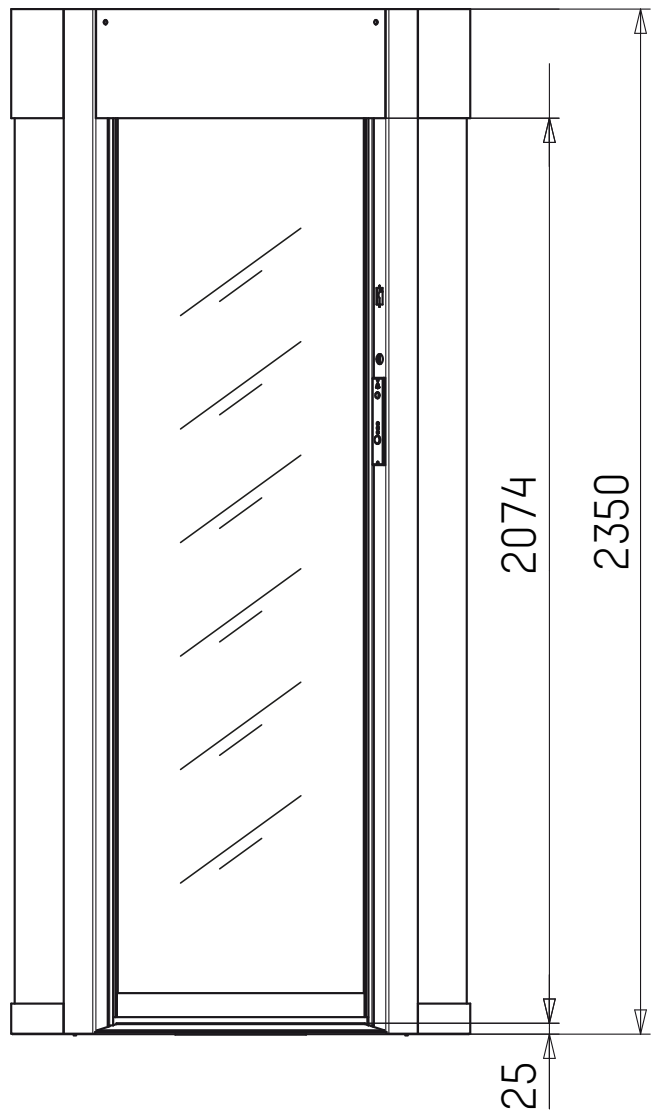
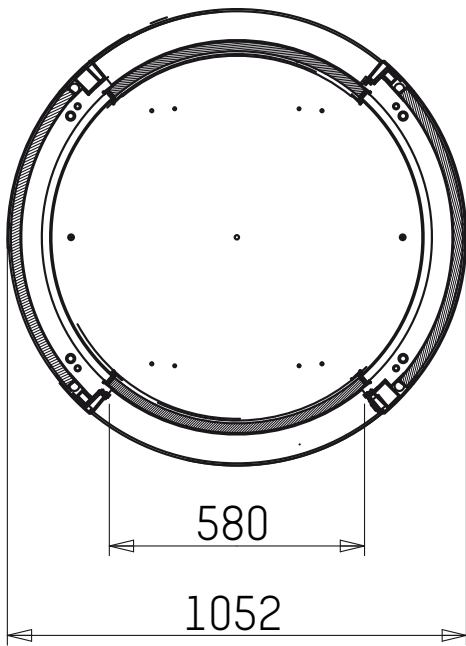
² This metal detection option is not compatible with the RC4 glass doors option.

³ It is recommended to order this option when the access from the top of the roof box is not possible for maintenance (min 500mm required for ergonomic work).

⁴ This kit is to be ordered once per installation site.

Note: For restrictions on options, please contact us.

STANDARD DIMENSIONS (MM)



Headquarters

Avenue Mercator, 5
1300 Wavre - Belgium



sales.asgroup@automatic-systems.com



+32.(0)10.23.02.11



www.automatic-systems.com



CL 635-FT-EN-09