

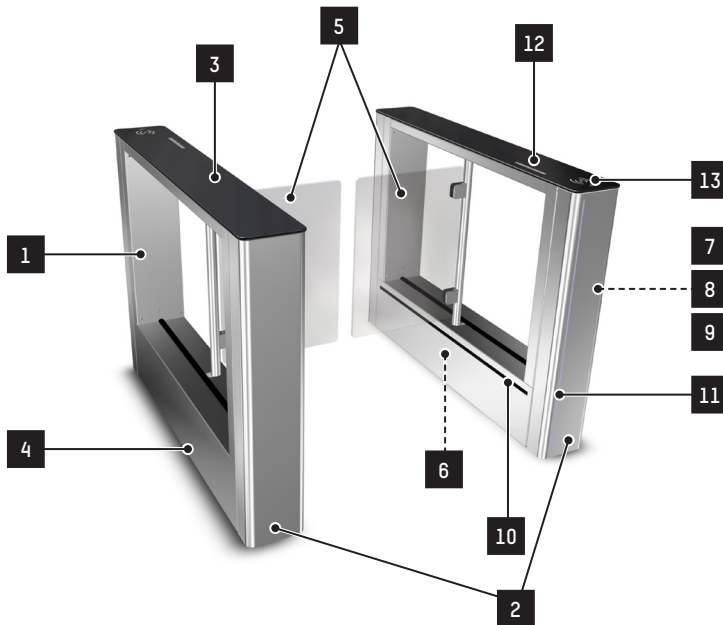
FirstLane S

Technical datasheet

Rev. 01 • Update 05/2023

AUTOMATIC
SYSTEMS

FI FirstLane™



The **FirstLane S** double swing door security entrance lane offers a **high bidirectional throughput** and **uncompromising security**.

With its **modern and elegant design**, the FirstLane S is designed to integrate perfectly into any architectural style. Equipped with high processing capacity and an exclusive detection system, the FirstLane S guarantees accurate user tracking and prevents any unauthorized use.

The FirstLane S is a modular product that can be installed as a single or a multi-lane array and can also be combined with standard lanes and wide lanes within the same array.

As an option, its new dynamic light allows a better user experience by offering a more intuitive information.



Version FirstLane S - HIGH

DESCRIPTION

1. Robust and stable RoHS zinc-plated steel frame for better corrosion resistance.
2. Front panels in brushed AISI 304L stainless steel, with optional integrated orientation light.
3. **For the low version:** Aesthetic glass top cover in 8mm thick monolithic tempered glass with black screen printing. The glass top cover is very resistant to scratches and allows for the integration of contactless readers and new dynamic lights without the need for cutting.
For the high version: Laminate top cover with RFID logo(s), with function light(s).
4. Housing elements in brushed AISI 304L stainless steel.
5. Clear-coloured, 10 mm thick tempered monolithic glass obstacles, swinging in the direction of user passage.
6. Electromechanical obstacle drive units, each consisting of:
 - A brushless DC electronic commutation motor and helical drive gear.
 - A controller which provides progressive accelerations and decelerations of the obstacles for a smooth movement and enhanced user safety.
7. Logic control board ensuring advanced traffic management. A built-in Web server accessible from any standard Web browser provides a simple interface for configuration of the gate's functional parameters and a complete diagnostics and maintenance tool. This maintenance interface is common to multiple Automatic Systems products and greatly facilitates product maintenance.
8. Data transfer with the outside world via the XML-RPC communication protocol over an Ethernet interface.
9. Data transfer by dry contacts: passage authorisation, passage data, fraud, technical defect, etc.
10. Proprietary DIRAS detection system, consisting of a high-density matrix of infrared transmitter/receiver photocell beams. It follows the users' progression through the lane and helps ensure their safety during opening/closing of the obstacles. The new detection algorithms offer best in class performance for detecting tailgating and other types of fraud.
11. Wide dynamic orientation light indicating lane status and providing greater visibility ensuring an optimal throughput (option).
12. Static status light (option: dynamic status light), close to the reader integration area, indicating that the user is authorised to pass.
13. Easy integration of contactless readers 'STID ARCS-A/BT' (RFID, NFC) or 'MACE MM' (QR Code) under the glass top cover.



STANDARD TECHNICAL CHARACTERISTICS (PER LANE)

Power supply	Single phase 110 VAC (5A)-240 VAC (3A) (+/- 10%) - 50/60 Hz + Ground. ¹
Consumption	Standby: 40 W Operating: 85 W Maximum: 150 W
Motors (x2)	24 VDC - Output power 90 W
Min. opening/closing times	0.7 seconds ²
Ambient operating temperature	+0° to +50°C
Relative ambient humidity	< 95%, without condensation
MCBF (Mean Cycles Between Failures)	5,000,000 cycles, in compliance with recommended maintenance
Sound level	55 dB to 1 m distance
Free passage (L)	600 or 900 mm
IP rating	IP40 (IP44 optional)
CE	Complies with European standards

		FIRSTLANE S - LOW	FIRSTLANE S- HIGH
Weight (without obstacles)	Right Unit	87 kg	84 kg
	Intermediate Unit	102 kg	99 kg
	Left Unit	85 kg	80 kg

			NARROW OBSTACLE	WIDE OBSTACLE
Glass obstacle weight	FirstLane - LOW	900 mm	4.6 kg	6.9 kg
	FirstLane - HIGH	1200 mm	6.7 kg	10.11 kg
		1500 mm	8.9 kg	13.5 kg
		1700 mm	10.4 kg	15.7 kg
		1800 mm	11.2 kg	16.8 kg

¹ Do not connect to an isolated ground network or a high impedance earthed industrial network.

² Depending on the size of the obstacles

WORKS TO BE PROVIDED BY THE CUSTOMER

- Floor mounting.
- Power supply.
- Wiring between lanes of a single array.
- Wiring to external peripheral equipment, if any.
- Integration of accessories.

Note: Follow the installation plan.

PRECAUTIONS FOR USE

For safety reasons, children must be supervised by an adult at all times when in the vicinity of the unit and when passing through the gate. When the gate is used by a child accompanied by an adult, the child must precede the accompanying adult.

CONFIGURATIONS

GLASS OBSTACLES

	FirstLane S - LOW	FirstLane S - HIGH
Obstacles with a height of 900mm	●	
Obstacles with a height of 1200mm		●
Obstacles with a height of 1500mm		○
Obstacles with a height of 1700mm		○
Obstacles with a height of 1800mm		○

- = standard configuration at no extra cost
- = configuration available as an option at additional cost

OPTIONS

	FirstLane S - LOW	FirstLane S - HIGH
Extra charge for wide lane 900mm low glass mobile obstacles 900mm (per unit side) ¹	○	
Extra charge for wide lane 900mm high glass mobile obstacles (1200mm, 1500mm, 1700mm, 1800mm) (per unit side) ¹		○
High glass mobile obstacles (1500mm, 1700mm or 1800mm) (per unit side) ¹ Glass obstacle opening/closing movement could differ depending on its size		○
Left or right housing with brake	○	○
Intermediate housing with brake	○	○
Housing with fixed lateral obstacle	○	○
Dynamic status and orientation light(s) ¹	○	○
Top cover in glass with RFID logo(s) & reading area (24x16mm ²) for QR reader, with status light(s)	○	
Top cover in stainless steel with screen printed glass reader screen(s), with function light(s) ²	○	
Top cover in black laminate with RFID logo(s), with function light(s) ³	○	●
IP44 for cold climates (-10°C to +50°C) ^{4 and 5}	○	○
Heating for very cold climates (-30°C to +50°C)	○	○
Escape route button as per EN 13637, on the front of the left or intermediate housing (B direction) ⁶	○	○
Support post with escape route button per EN 13637 norm ⁶	○	○
Top cover for free exit	○	○
Smart & Slim control panel	○	○
Smart Touch configurable interactive control panel	○	○

1 This option will be charged 2x in the case of an intermediate housing, only once in other cases.

2 The number of glass screen(s) (1 or 2) will be defined automatically by the housing configuration selected (1 for left or right end housing, 2 for left or right intermediate or hybrid housing).

3 The number of RFID logo(s) engraved in the top cover (1 or 2) will be defined automatically by the configuration of the housing selected (1 if left or right end housing, 2 if left or right intermediate or hybrid housing).

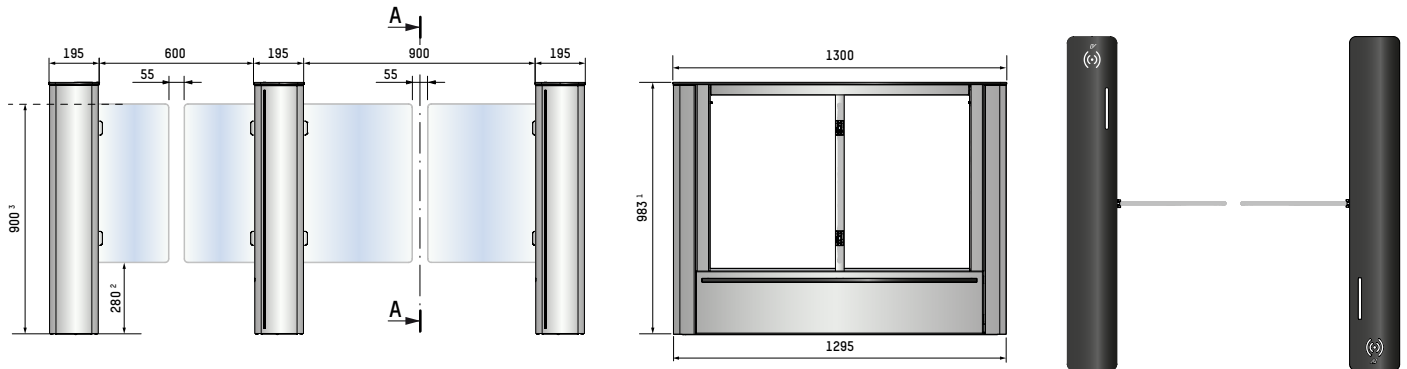
4 This option requires the choice of a stainless steel or kraft top cover.

5 This option requires the brake to be selected.

6 Only in indoor use & via costing.

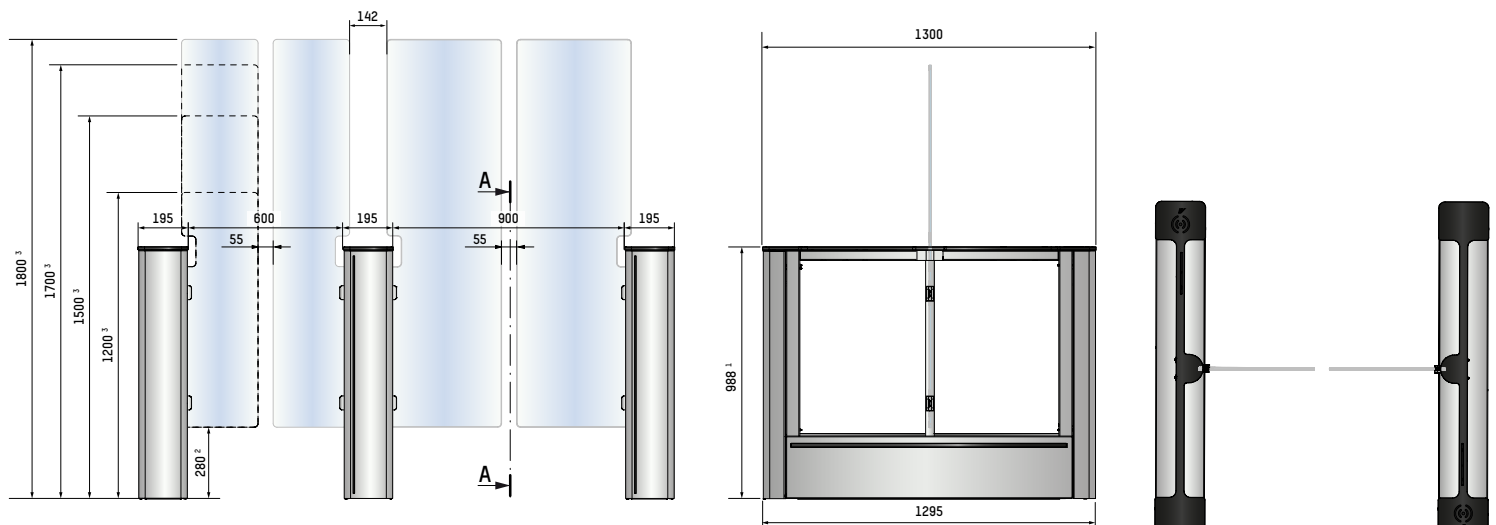
DIMENSIONS

FirstLane S - LOW



- 1 Height with glass top cover (STANDARD) : 983 mm.
Height with kraft top cover : 990 mm.
Height with stainless steel top cover : 997 mm.
Height with stainless steel top cover + IP44 option : 1005 mm.
- 2 Ground clearance from obstacles (STANDARD) : 280 mm.
Ground clearance from obstacles with IP44 option : 288 mm.
- 3 Height of the obstacle from the ground with IP 44 option : standard height + 8 mm.

FirstLane S - HIGH



- 1 Height with kraft top cover : 988 mm.
Height with kraft top cover + IP44 option : 996 mm.
- 2 Ground clearance from obstacles (STANDARD) : 280 mm.
Ground clearance from obstacles with IP44 option : 288 mm.
- 3 Height of the obstacle from the ground with IP 44 option : standard height + 8 mm.

MAXIMUM VOLUMES AVAILABLE FOR READER INTEGRATION

FirstLane S - LOW

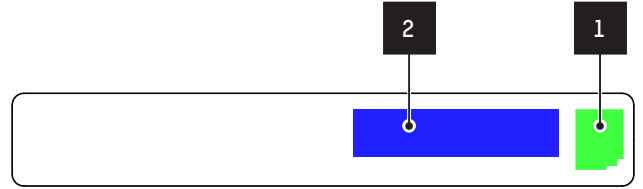
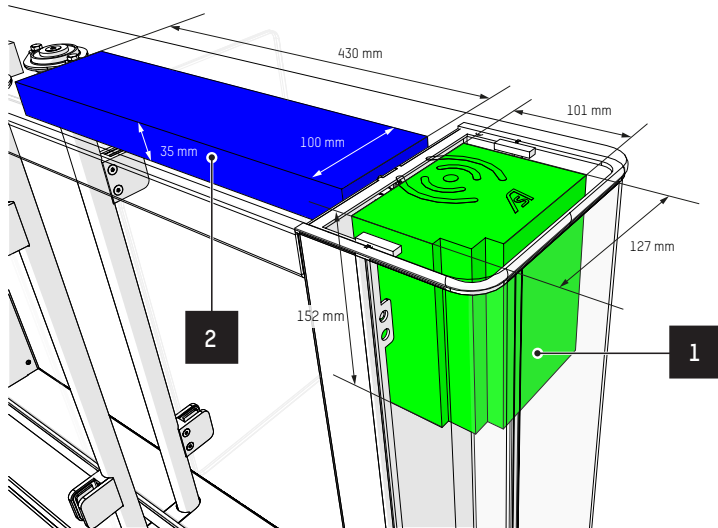


ILLUSTRATION	DESCRIPTION	DIMENSIONS L x W x H (mm)
1	Volume under top cover / top of front panel	101 x 127 x 152
2	Volume under top cover / top rail* *only for non-standard units	430 x 100 x 35

FirstLane S - HIGH

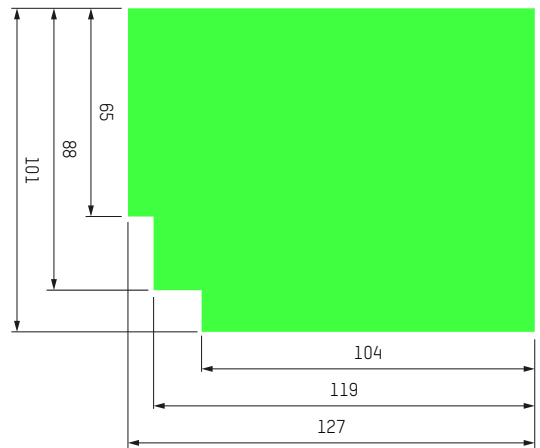
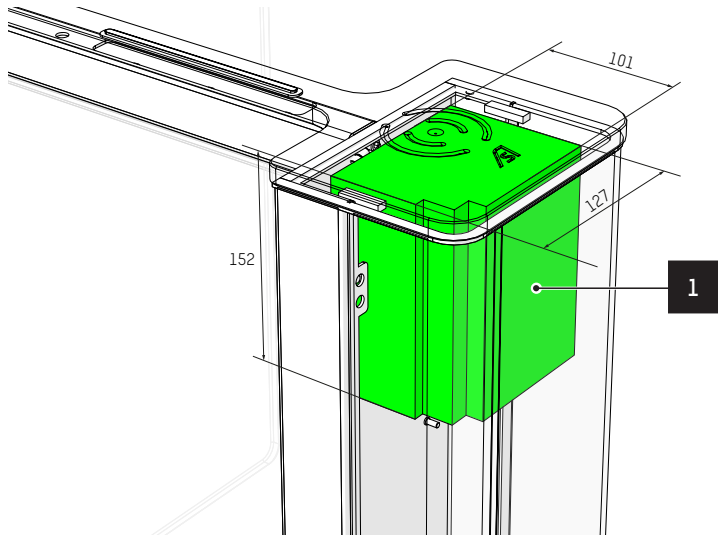


ILLUSTRATION	DESCRIPTION	DIMENSIONS L x W x H (mm)
1	Volume under top cover / top of front panel	101 x 127 x 152

Headquarters
5, Avenue Mercator,
1300 Wavre - Belgium

✉ sales.asgroup@automatic-systems.com

☎ +32.(0)10.23.02.11

🌐 www.automatic-systems.com



FirstLane S-FT-EN-01